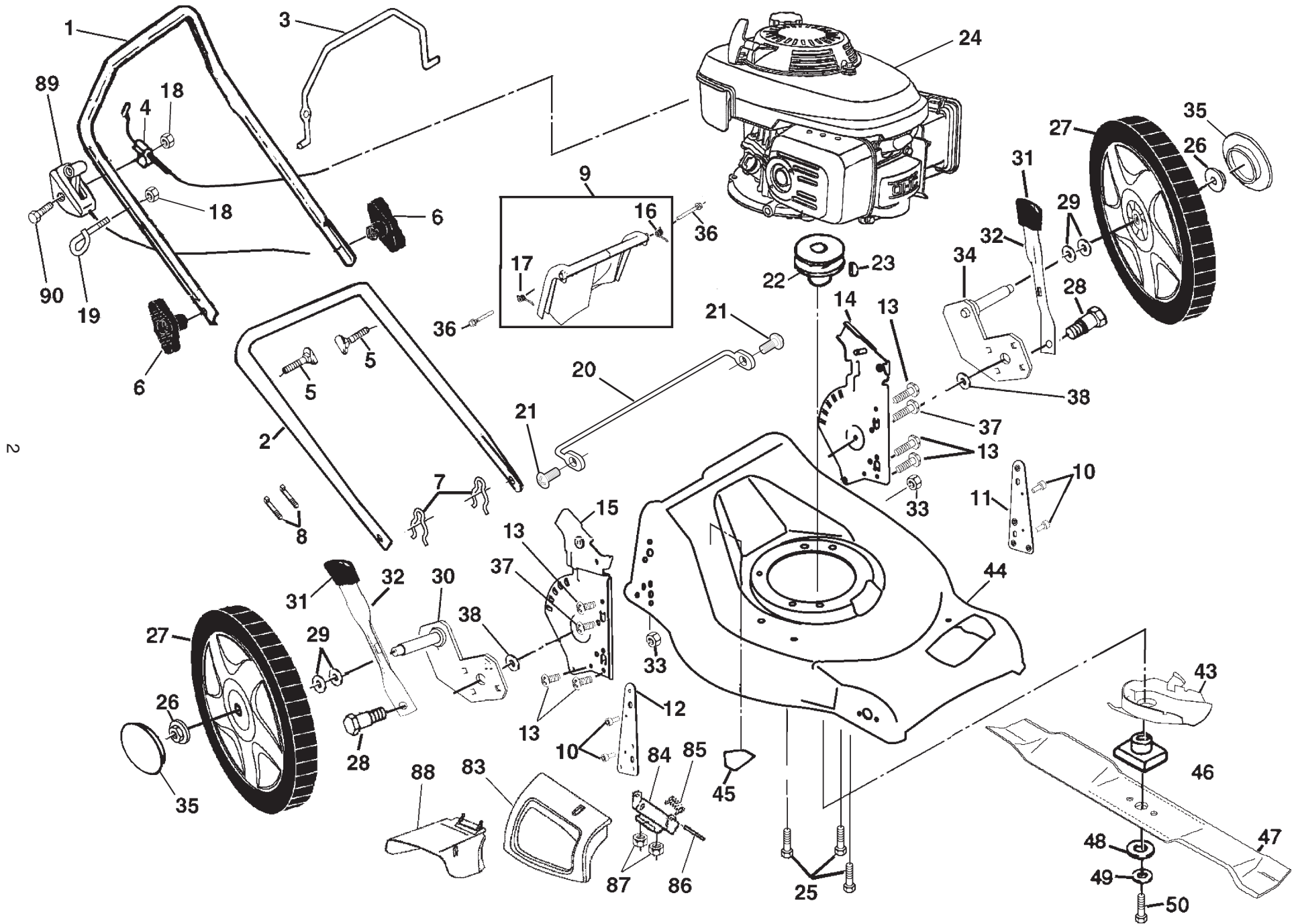


ILLUSTRATED PARTS BREAKDOWN

**ELECTROLUX
5.5 HORSEPOWER
21" MULTI-CUT LAWN MOWER
MODEL NO. 5553SD (PP5553HW3B)
964 77 03-00**

ROTARY LAWN MOWER - - MODEL NUMBER 5553SD (PP5553HW3B) PRODUCT NUMBER 964 77 03-00



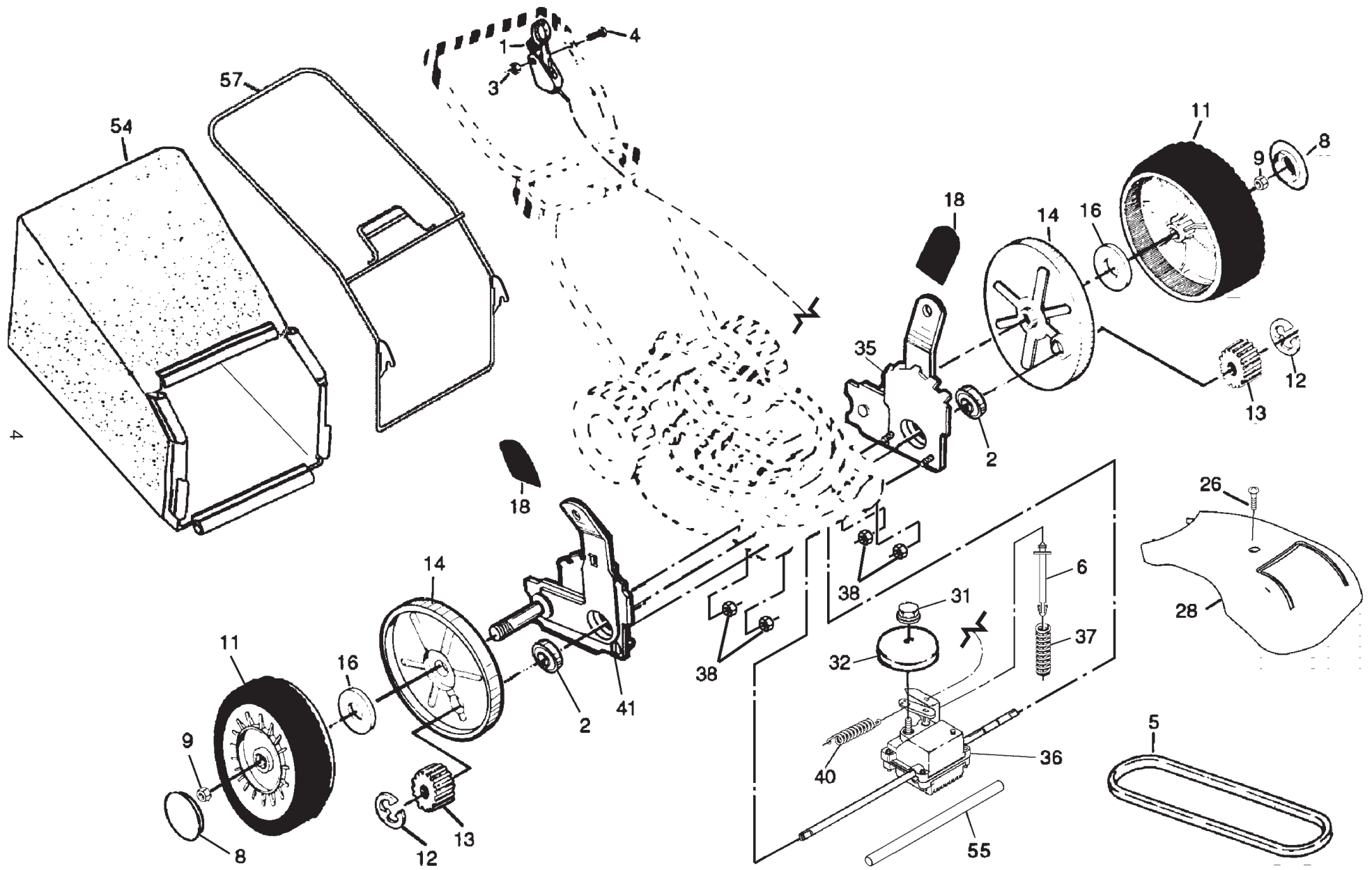
ROTARY LAWN MOWER - - MODEL NUMBER 5553SD (PP5553HW3B) PRODUCT NUMBER 964 77 03-00

KEY NO.	PART NO.	DESCRIPTION
1	532 17 80-67	Upper Handle
2	532 15 36-05	Lower Handle
3	532 17 02-87	Control Bar
4	532 13 08-61	Engine Zone Control Cable
5	532 13 19-59	Handle Bolt
6	532 17 01-46	Handle Knob
7	532 05 17-93	Hairpin Cotter
8	532 06 64-26	Wire Tie
9	532 18 04-79	Rear Door Kit (Incl. Key #16 & 17)
10	532 12 84-15	Pop Rivet
11	532 18 25-38	Support Bracket LH
12	532 18 25-39	Support Bracket RH
13	817 06 04-10	Screw 14-20 x 5/8
14	532 12 25-43	Handle Bracket Assembly (Left)
15	532 18 25-44	Handle Bracket Assembly (Right)
16	532 18 00-71	Spring LH
17	532 18 00-72	Spring RH
18	532 13 20-04	Keps Locknut 1/4-20
19	532 17 95-85	Rope Guide
20	532 17 92-05	Foot Guard, C.E.
21	532 05 45-83	Screw, Tapping 1/4-20 x 1/2
22	532 08 45-96	Engine Pulley
23	532 08 76-77	Hi-Pro Key #505
24	- - -	Engine, Honda, Model No. GCV160 (order parts from engine manufacturer)
25	532 15 04-06	Hex Head Thread Rolling Srew 3/8-16 x 1-1/8
26	532 08 39-23	Hex Flange Nut
27	532 18 17-85	Wheel
28	532 16 08-28	Shoulder Bolt 5/16-18 x .33
29	532 05 71-43	Wave Washer

KEY NO.	PART NO.	DESCRIPTION
30	532 18 25-41	Axle Arm Assembly RR
31	532 17 54-78	Selector Knob
32	532 18 25-37	Selector Spring
33	532 06 31-24	Nut 5/16-18
34	532 18 25-42	Axle Arm Assembly LR
35	532 18 06-24	Hubcap
36	532 18 41-93	Bolt
37	532 15 00-78	Thread Cutting Screw w/Sems 5/16-18 x 3/4
38	819 11 22-06	Washer
43	532 17 50-83	Bottom Belt Cover
44	532 18 17-97	Lawn Mower Housing (Incl. Key #10, 11, 12& 45)
45	532 18 21-66	Danger Deal
46	532 18 00-69	Blade Adapter
47	532 16 58-33	Blade 21"
48	532 85 10-74	Hardened Washer
49	532 85 02-63	Helical Washer 3/8-24 x 1-3/8 Gr. 8
50	532 85 10-84	Hex Head Machine Screw 3/8-24 x 1-3/8 Gr. 8
83	532 17 50-66	Mulch Door
84	532 17 57-35	Hinge Bracket Assembly
85	532 17 52-85	Spring
86	532 17 56-50	Rod, Hinge
87	532 06 36-01	Nut
88	532 17 50-71	Clipping Deflector
89	532 18 21-59	Throttle Control
90	532 14 49-29	Screw
--	532 18 21-34	Decal, Self-Propelled, Internal (not shown)
--	532 18 17-92	Operator's Manual, Euro
--	532 18 17-93	Operator's Manual, Scan

NOTE: All component dimensions given in U.S. inches.
1 inch = 25.4 mm

ROTARY LAWN MOWER - - MODEL NUMBER 5553SD (PP5553HW3B) PRODUCT NUMBER 964 77 03-00



ROTARY LAWN MOWER - - MODEL NUMBER 5553SD (PP5553HW3B) PRODUCT NUMBER 964 77 03-00

KEY NO.	PART NO.	DESCRIPTION
1	532 18 45-87	Control Cable Assembly
2	532 16 73-87	Bearing, Wheel Adjuster
3	532 75 11-52	Locknut #10-24
4	532 15 87-55	Hex Washer Head Screw 1/4-20 x 2.12
5	532 17 54-36	V-Belt
6	532 15 04-95	Spring Retainer
8	532 16 43-78	Hubcap
9	532 14 52-12	Locknut
11	532 18 07-67	Wheel & Tire Assembly
12	812 00 00-58	E-Ring
13	532 13 70-54	Pinion
14	532 18 05-04	Dust Cover
16	532 06 77-25	Washer 1/2 x 1-1/2 x .134
18	532 17 01-43	Selector Knob
26	532 17 52-62	Pan Head Tapping Screw #10-24 x 2-3/4
28	532 18 03-29	Drive Cover

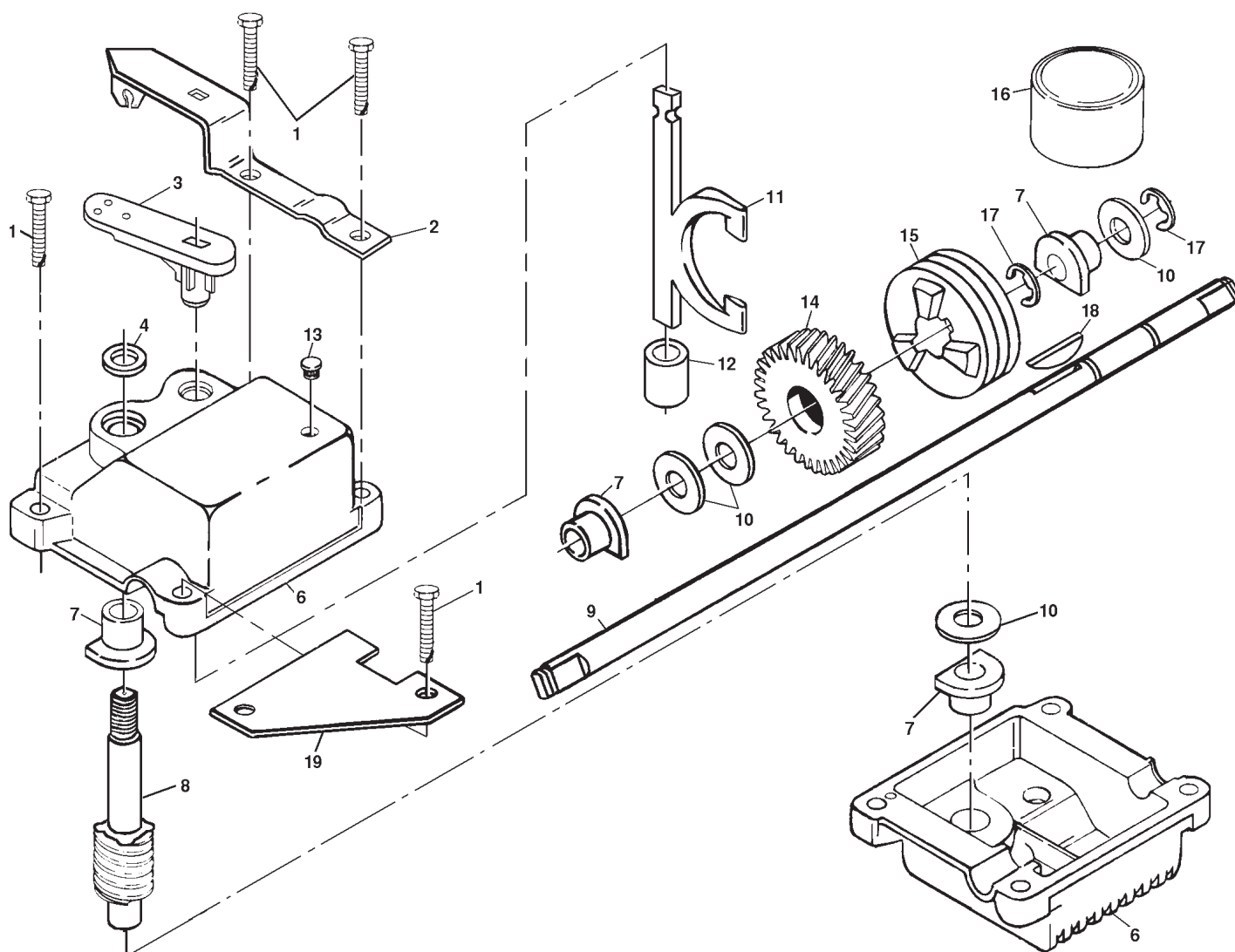
KEY NO.	PART NO.	DESCRIPTION
31	532 13 20-10	Hex Flange Nut
32	532 13 70-52	Drive Pulley
35	532 15 15-21	Kit, Wheel Adjuster, LH (Includes Knob and Bearing)
36	532 17 52-58	Gear Case Assembly
37	532 13 70-90	Spring
38	532 06 36-01	Locknut 1/4-20
40	532 07 51-92	Spring
41	532 15 15-20	Kit, Wheel Adjuster, RH (Includes Knob and Bearing)
54	532 18 40-12	Grassbag Assembly
55	532 17 57-39	Driveshaft Cover
57	532 18 39-93	Frame

NOTE: All component dimensions given in U.S. inches.
1 inch = 25.4 mm

ROTARY LAWN MOWER - - MODEL NUMBER 5553SD (PP5553HW3B)

PRODUCT NUMBER 964 77 03-00

GEARCASE ASSEMBLY - PART NUMBER 532 17 52-58



KEY NO.	PART NO.	DESCRIPTION
1	817 49 04-16	Tapping Screw 1/4-20 x 1-1/4
2	532 18 25-40	Engagement Bracket
3	532 13 70-53	Shifter
4	532 05 70-72	Seal
6	532 04 83-73	Gear Case Halves Kit (Includes Key Numbers 4 and 7)
7	532 07 78-81	Bearing
8	532 13 70-51	Worm Shaft
9	532 17 52-57	Drive Shaft
10	532 05 70-79	Hardened Washer
11	532 13 14-84	Clutch Yoke
12	532 70 03-43	Bushing
13	532 08 64-47	Plug
14	532 13 70-50	Helical Gear
15	532 75 04-36	Clutch Jaw
16	532 75 03-69	Grease
17	812 00 00-03	E-Ring
18	532 85 08-48	Hi-Pro Key
19	532 12 54-41	Spring Bracket

NOTE: All component dimensions given in U.S. inches.
1 inch = 25.4 mm